



Project Information :

Customer	
Project	
Description	
Date	1400/ 8/12

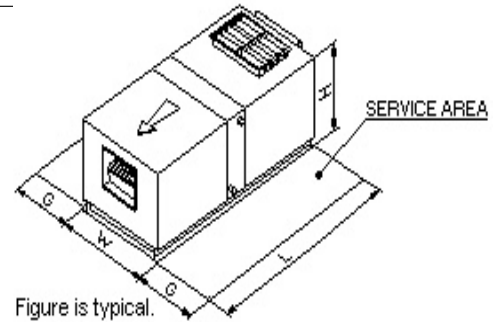


Figure is typical.

Total Information :

Air Handling Unit Model	1300
No. of Unit(s)	1
Type Classification	Horizontal
Altitude (Feet)	5250
Air Flow (CFM)	12000
Air Face Velocity (fpm)	451
Total Net Weight (Kg)	2240
Total operating Weight (Kg)	3485
Fan Direction	Front - Top
Access Door	Right
Coil Connections	Right
Demontage	1 Segment

Note : Dampers Thickness are not included in total dimension.

Optional Components List :

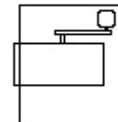
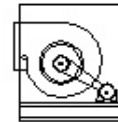
PreCooling Coil	
Cooling Coil	
Preheating Coil	
Heating Coil	✓
Reheating Coil	
Face & ByPass Damper	
Mixing Box	✓
Air Washer	✓
Steam Grid Humidifier	
Fog Nozzle Humidifier	✓
Filter	✓
Sound Attenuator	
Vibration Isolator	

Total Dimensions (mm) :

L (Length)	6676
H (Height)	2170
W (Width)	2350
G (Service Area)	2000

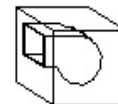
Fan & Motor Arrangement :

ID Right



Fan Direction :

Front - Top

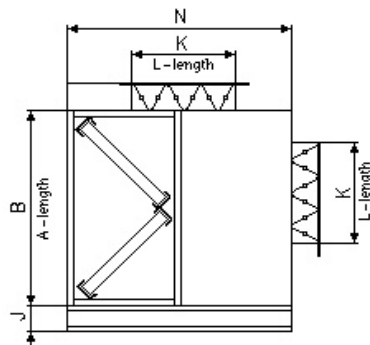


Mixing Box Information :

Type	With Angle Filter
Code	MB2
Weight (Kg)	460
Filter Face Area (sq Ft)	44.4

Dimensions (mm) :

A	2350
B	2050
K	950
L	14000
M	-
N	1250
J	120





Coil Performance :

Coil Function	Precooling	Cooling	Preheating	Heating	Reheating
Coil Type	-	-	-	Hot Water	-
No. of Coil	-	-	-	2.0	-
Coils Face Area (sq. Ft)	-	-	-	26.6	-
No. of Rows	-	-	-	2	-
Fins Per Inch	-	-	-	8	-
Fin Material	-	-	-	Aluminum	-
Circuiting	-	-	-	Full	-
Coil Dry Weight (Kg)	-	-	-	150	-
Coil Operating Weight (Kg)	-	-	-	193	-
Total Cooling Load (BTU /Hr)	-	-	-	-	-
Sensible Cooling Load (BTU / Hr)	-	-	-	-	-
Sensible Heat Factor , Bypass Factor	-	-	-	-	-
Total Heating Load (BTU / Hr)	-	-	-	419623	-
Air Inlet Dry Bulb Temp. (°F)	-	-	-	98.50	-
Air Inlet Wet Bulb Temp. (°F)	-	-	-	-	-
Air Outlet Dry Bulb Temp. (°F)	-	-	-	137.53	-
Air Outlet Wet Bulb Temp. (°F)	-	-	-	-	-
Air Pressure Drop (inch w.g.)	-	-	-	0.13	-
Air Face Velocity (fpm)	-	-	-	452	-
Water or Glycol Inlet Temp. (°F)	-	-	-	180.00	-
Water or Glycol Outlet Temp. (°F)	-	-	-	160.00	-
Water or Glycol Flow (GPM)	-	-	-	43.10	-
Water or Glycol Pressure Drop (Ft Water)	-	-	-	0.5	-
Glycol Percent (%)	-	-	-	-	-
Glycol Type	-	-	-	-	-
Refrigerant Type	-	-	-	-	-
Refrigerant Temp (°F)	-	-	-	-	-
Refrigerant Flow (Lb / Hr)	-	-	-	-	-
Refrigerant Pressure Drop (Psi)	-	-	-	-	-
Steam Working Pressure (Psig)	-	-	-	-	-
Steam Flow (LB / Hr)	-	-	-	-	-
Steam Pressure Drop (Psi)	-	-	-	-	-

Dimensions :

	H	I	K
Precool	-	-	-
Cool	-	-	-
Preheat	-	-	-
Heat	686	1800	126
Reheat	-	-	-

Connection :

	Supply	Return
Precool	-	-
Cool	-	-
Preheat	-	-
Heat	2 * 1 1/2"	2 * 1 1/2"
Reheat	-	-

Headers are shown according to type of coil and circuiting.
 # Dx Coils are equipped with venturi flow headers.

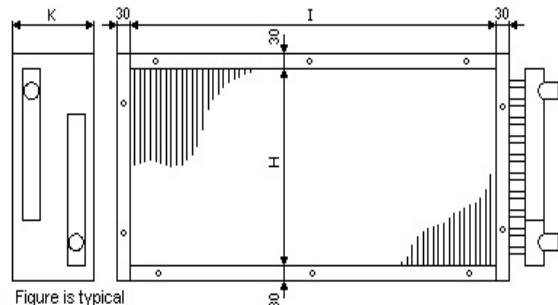
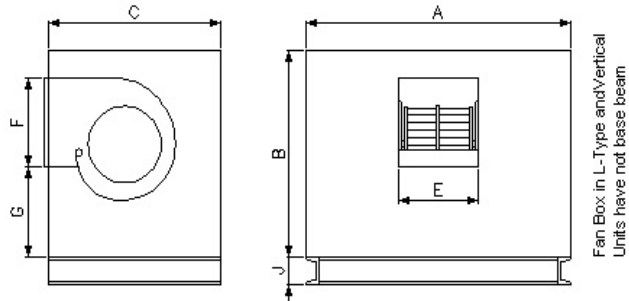


Figure is typical.

Fan Information :

No. of Fan(s)	1
Fan(s) Type (is Non Standard !)	19 DWDI
Altitude (Feet)	5250
Air Flow (CFM)	12000
Internal Static Pressure Estimated By	Program
Internal Static Pressure (inch w.g.)	2.99
External Static Pressure (inch w.g.)	1
Total Static Pressure (inch w.g.)	4.20
Fan(s) Speed (RPM)	1083
Break Horse Power Per Fan (BHP)	10.95
Motor Horse Power Per Fan (HP)	15.00
Total Motor(s) Horse Power (HP)	15.0
Fan(s) Efficiency (%)	87.39
Fan(s) Sound Power Level (db)	93.9
Fan(s) Sound Frequency (Hz)	866



Motor Information :

Model	Siemens
Number	
Phase	3
HP	25.00
RPM	1455
Poles	4
Hz	50
Volt	380
Amp	37.00
Class	B / F
IP	44 / 54

Dimensions (mm) :

A	2350
B	2050
C	1300
D	-
E	616
F	621
G	586
J	120

Weight (Kg) :

Fan(s)	70
Fan Section	360
Motor(s)	77
Total	507

Air Washer Information :

Air Flow (CFM)	12000
Air Inlet Dry Bulb Temp. (°F)	98.5
Air Inlet Wet Bulb Temp. (°F)	68
Air Inlet Relative Humidity (%)	-
Air Outlet Dry Bulb Temp. (°F)	77.5
Air Outlet Wet Bulb Temp. (°F)	68
Air Outlet Relative Humidity (%)	64
Air Washer Face Area (sq Ft)	27
Air Face Velocity (fpm)	444
Air Pressure Drop (inch of water)	0.49
Air Washer Class	Class 6
Circulation Water Flow (GPM)	72
No. of Spray Nozzles	16
Saturation Efficiency (%)	69
Air Washer Dry Weight (Kg)	576
Air Washer Operating Weight (Kg)	1800

Connection :

Spray Header	3"
Flooding Header	1 1/4"
Suction	3"
Make up	3/4"
Quick Fill	1"
Drain	2"
Overflow	2"

Dimensions (mm) :

A	2350
B	1650
C	1750
D	400
J	120

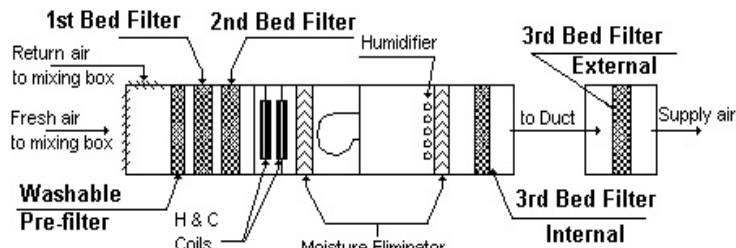
Fog Nozzle Humidifier Information : (Not Accepted)

Air Flow (CFM)	
Air Inlet Dry Bulb Temp. (°F)	?
Air Inlet Wet Bulb Temp. (°F)	?
Air Inlet Relative Humidity (%)	?
Air Outlet Dry Bulb Temp. (°F)	?
Air Outlet Wet Bulb Temp. (°F)	?
Air Outlet Relative Humidity (%)	?
Humidifying Need (Lb/Hr per 1000 CFM air)	?
Humidifying Need (Lb/Hr)	?
Water Sprayed Flow (GPM)	?
Water Sprayed Temp (°F)	?
No. of Nozzles	?

Air Filter Information :

	Filter Type	Efficiency	Air Pressure Drop (inch w.g.)
Washable Bed Filter	Washable PreFilter	10 - 25 % Dust Spot	0.3
1st Bed Filter	Bag Filter	80 - 85% Dust Spot	1
2nd Bed Filter	Bag Filter	80 - 85% Dust Spot	1
3rd Bed Filter (Internal)	None	-	-
3rd Bed Filter (External)	None	-	-

No. of Filters : 3





COMMENTS :



Project Information :

Customer	
Project	
Description	
Date	1400/ 8/12

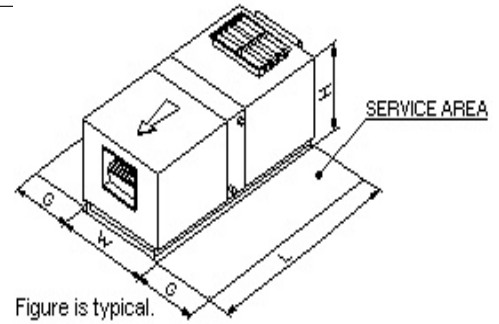


Figure is typical.

Total Information :

Air Handling Unit Model	700
No. of Unit(s)	1
Type Classification	Horizontal
Altitude (Feet)	5250
Air Flow (CFM)	8000
Air Face Velocity (fpm)	580
Total Net Weight (Kg)	1549
Total operating Weight (Kg)	2594
Fan Direction	Front - Top
Access Door	Right
Coil Connections	Right
Demontage	2 Segments

Note : Dampers Thickness are not included in total dimension.

Optional Components List :

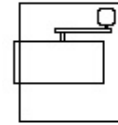
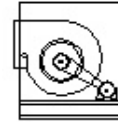
PreCooling Coil	
Cooling Coil	
Preheating Coil	
Heating Coil	✓
Reheating Coil	
Face & ByPass Damper	
Mixing Box	✓
Air Washer	✓
Steam Grid Humidifier	
Fog Nozzle Humidifier	✓
Filter	✓
Sound Attenuator	
Vibration Isolator	

Total Dimensions (mm) :

L (Length)	6173
H (Height)	1620
W (Width)	1650
G (Service Area)	1500

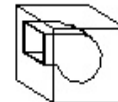
Fan & Motor Arrangement :

ID Right



Fan Direction :

Front - Top

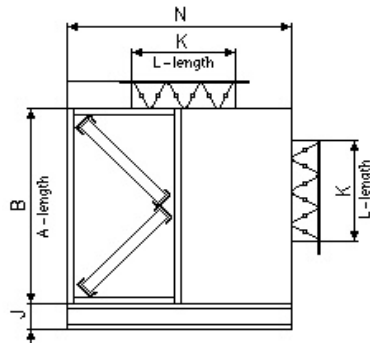


Mixing Box Information :

Type	With Angle Filter
Code	MB2
Weight (Kg)	230
Filter Face Area (sq Ft)	25

Dimensions (mm) :

A	1650
B	1500
K	650
L	1200
M	-
N	880
J	120





Coil Performance :

Coil Function	Precooling	Cooling	Preheating	Heating	Reheating
Coil Type	-	-	-	Hot Water	-
No. of Coil	-	-	-	1.0	-
Coils Face Area (sq. Ft)	-	-	-	13.8	-
No. of Rows	-	-	-	1	-
Fins Per Inch	-	-	-	8	-
Fin Material	-	-	-	Aluminum	-
Circuiting	-	-	-	Full	-
Coil Dry Weight (Kg)	-	-	-	25	-
Coil Operating Weight (Kg)	-	-	-	31	-
Total Cooling Load (BTU /Hr)	-	-	-	-	-
Sensible Cooling Load (BTU / Hr)	-	-	-	-	-
Sensible Heat Factor , Bypass Factor	-	-	-	-	-
Total Heating Load (BTU / Hr)	-	-	-	143377	-
Air Inlet Dry Bulb Temp. (°F)	-	-	-	98.50	-
Air Inlet Wet Bulb Temp. (°F)	-	-	-	-	-
Air Outlet Dry Bulb Temp. (°F)	-	-	-	118.50	-
Air Outlet Wet Bulb Temp. (°F)	-	-	-	-	-
Air Pressure Drop (inch w.g.)	-	-	-	0.10	-
Air Face Velocity (fpm)	-	-	-	581	-
Water or Glycol Inlet Temp. (°F)	-	-	-	180.00	-
Water or Glycol Outlet Temp. (°F)	-	-	-	160.00	-
Water or Glycol Flow (GPM)	-	-	-	14.70	-
Water or Glycol Pressure Drop (Ft Water)	-	-	-	0.1	-
Glycol Percent (%)	-	-	-	-	-
Glycol Type	-	-	-	-	-
Refrigerant Type	-	-	-	-	-
Refrigerant Temp (°F)	-	-	-	-	-
Refrigerant Flow (Lb / Hr)	-	-	-	-	-
Refrigerant Pressure Drop (Psi)	-	-	-	-	-
Steam Working Pressure (Psig)	-	-	-	-	-
Steam Flow (LB / Hr)	-	-	-	-	-
Steam Pressure Drop (Psi)	-	-	-	-	-

Dimensions :

	H	I	K
Precool	-	-	-
Cool	-	-	-
Preheat	-	-	-
Heat	914	1400	93
Reheat	-	-	-

Connection :

	Supply	Return
Precool	-	-
Cool	-	-
Preheat	-	-
Heat	1 1/4"	1 1/4"
Reheat	-	-

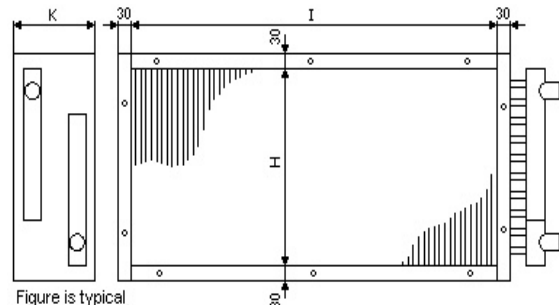
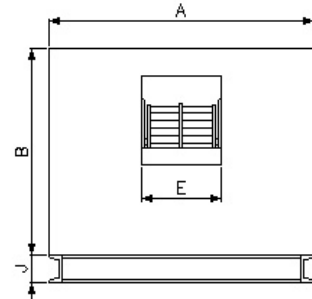
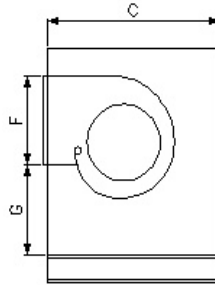


Figure is typical.

Headers are shown according to type of coil and circuiting.
 # Dx Coils are equipped with venturi flow headers.

Fan Information :

No. of Fan(s)	1
Fan(s) Type (is Non Standard !)	17 DWDI
Altitude (Feet)	5250
Air Flow (CFM)	8000
Internal Static Pressure Estimated By	Program
Internal Static Pressure (inch w.g.)	2.96
External Static Pressure (inch w.g.)	1.2
Total Static Pressure (inch w.g.)	4.42
Fan(s) Speed (RPM)	1179
Break Horse Power Per Fan (BHP)	7.47
Motor Horse Power Per Fan (HP)	10.00
Total Motor(s) Horse Power (HP)	10.0
Fan(s) Efficiency (%)	83.46
Fan(s) Sound Power Level (db)	91.9
Fan(s) Sound Frequency (Hz)	943



Fan Box in L-Type and Vertical Units have not base beam

Motor Information :

Model	Motogen
Number	
Phase	3
HP	15.00
RPM	1445
Poles	4
Hz	50
Volt	380
Amp	23.80
Class	B / F
IP	44 / 54

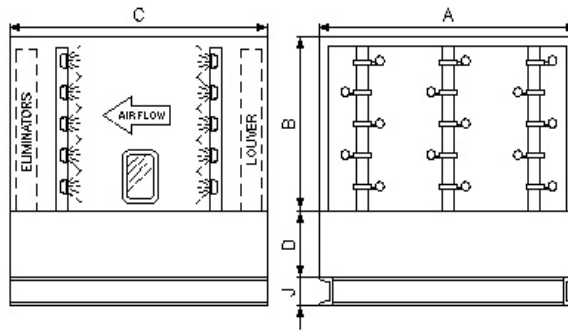
Dimensions (mm) : Weight (Kg) :

A	1650
B	1500
C	1200
D	-
E	561
F	566
G	344
J	120

Fan(s)	55
Fan Section	270
Motor(s)	52
Total	377

Air Washer Information :

Air Flow (CFM)	8000
Air Inlet Dry Bulb Temp. (°F)	98.5
Air Inlet Wet Bulb Temp. (°F)	68.5
Air Inlet Relative Humidity (%)	-
Air Outlet Dry Bulb Temp. (°F)	78.9
Air Outlet Wet Bulb Temp. (°F)	68.5
Air Outlet Relative Humidity (%)	61.5
Air Washer Face Area (sq Ft)	13.8
Air Face Velocity (fpm)	580
Air Pressure Drop (inch of water)	0.49
Air Washer Class	Class 6
Circulation Water Flow (GPM)	48
No. of Spray Nozzles	11
Saturation Efficiency (%)	65.41
Air Washer Dry Weight (Kg)	460
Air Washer Operating Weight (Kg)	1500



Connection :

Spray Header	2 1/2"
Flooding Header	1 1/4"
Suction	3"
Make up	3/4"
Quick Fill	1"
Drain	2"
Overflow	2"

Dimensions (mm) :

A	1650
B	1100
C	1750
D	400
J	120

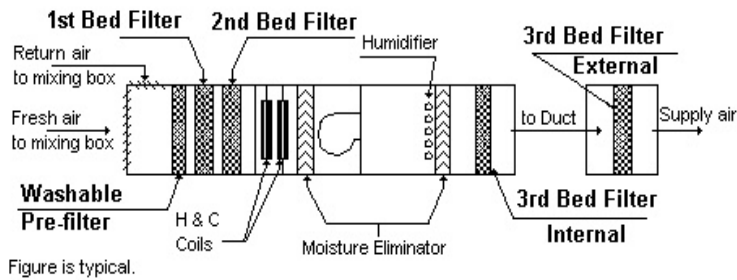
Fog Nozzle Humidifier Information : (Not Accepted)

Air Flow (CFM)	
Air Inlet Dry Bulb Temp. (°F)	?
Air Inlet Wet Bulb Temp. (°F)	?
Air Inlet Relative Humidity (%)	?
Air Outlet Dry Bulb Temp. (°F)	?
Air Outlet Wet Bulb Temp. (°F)	?
Air Outlet Relative Humidity (%)	?
Humidifying Need (Lb/Hr per 1000 CFM air)	?
Humidifying Need (Lb/Hr)	?
Water Sprayed Flow (GPM)	?
Water Sprayed Temp (°F)	?
No. of Nozzles	?

Air Filter Information :

	Filter Type	Efficiency	Air Pressure Drop (inch w.g.)
Washable Bed Filter	Washable PreFilter	10 - 25 % Dust Spot	0.3
1st Bed Filter	Bag Filter	80 - 85% Dust Spot	1
2nd Bed Filter	Bag Filter	80 - 85% Dust Spot	1
3rd Bed Filter (Internal)	None	-	-
3rd Bed Filter (External)	None	-	-

No. of Filters : 3





COMMENTS :